



# CUBE MC

## FEATURES

- MULTI-USER MANAGEMENT
- ALL-IN-ONE EQUIPMENT
- COMPACT DESIGN
- COMPATIBLE WITH SSM AGILIS SOFTWARE
- SUCTION FILTER
- IP55

The PIUSI CUBE MC is the upgraded version of the world famous CUBE dispenser equipped with an electronic panel able to manage up to 250 users and 255 transactions. The sturdy structure includes a self-priming vane pump, built-in bypass, automatic nozzle, and integrated nozzle holder with start/stop pump lever.

### PERFORMANCE

UP TO  
**70 L/MIN**

FLOW RATE

**AC/DC**

VOLTAGE

**± 0,5%**

ACCURACY

UP TO  
**250**

USERS

Upgrade your MC hardware to B.SMART with KIT UPGRADE 1.0/2018.



CUBE 70 MC WITH PEDESTAL (OPTIONAL)



CUBE 70 MC



### PACKAGING

CODE	WEIGHT		PACKAGING			N. BOXES / EUROPALLET	
	KG	LBS	MM	INCH	PCS/BOX		
FO059415D	25	55	400X400X460	-	1	12	24
FO059400E	25	55	400X400X460	-	1	12	24
FO059413D	25	55	400X400X460	-	1	12	24



FILTRATION



TANK MONITORING



HOSE REEL



ACCESSORIES



MERCHANDISE

# PIUSI

BIS

ANY BIODIESEL

A

AIR

A

ANTIFREEZE

Ad

AdBlue®

B

BIODIESEL

D

DIESEL

F

FOOD

G

GASOLINE

G

GREASE

K

KEROSENE

O

OIL

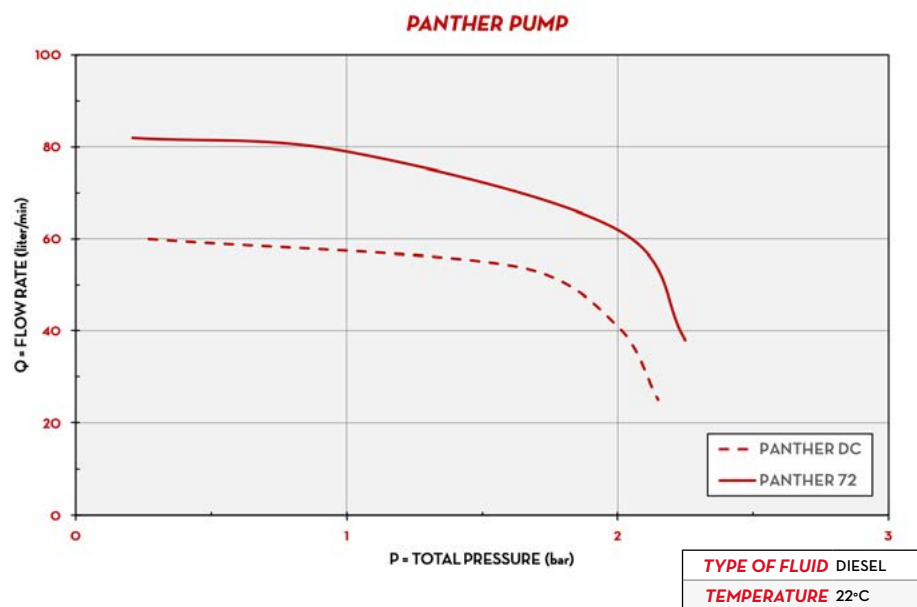
W

WATER

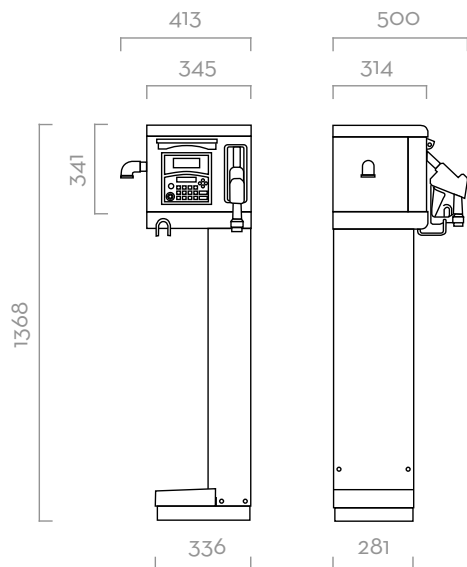
W

WINDSCREEN

## CHART



## DIMENSIONS



Dimensions expressed in millimeters

## IN THE BOX

- CUBE MC DISPENSER
- AUTOMATIC NOZZLE
- DELIVERY HOSE
- INSTRUCTION MANUAL

## DETAILS



SHUTTER



DRIVER KEY (not included)



DATA TRANSFER AGILIS



SSM AGILIS SOFTWARE

## MATERIALS

- **PUMPS:**  
PANTHER AC  
PANTHER DC
- **METER:**  
K600/3
- **NOZZLE:**  
AUTOMATIC NOZZLE

## TECHNICAL DATA

CODE	DESCRIPTION	FLUIDS TYPE	FLOW RATE		VOLTAGE			PUMP TYPE	METER TYPE	NOZZLE TYPE	FILTER H2O FILTER	INLET BSP	HOSE		PC CONNECTION		USERS N.
			L/MIN	GPM	AC V./HZ DC VOLT	POWER WATT	AMP. MAX.						LENGTH	Ø	CONNECTION	N.	
FO059415D	CUBE 70 MC 230V/50HZ 250U AGILIS	D	70	18	230/50	800	3.9	PANTH 72	K600	A60	NO	1"	4M	1"	YES	250	
FO059400E	CUBE 70 MC 230V/50HZ 80U AGILIS	D	70	18	230/50	800	3.9	PANTH 72	K600	A60	NO	1"	4M	1"	YES	80	
FO059413D	CUBE 70 MC 12V 80U AGILIS	D	60	15	12	420	35	PANTH DC	K600	A60	NO	1"	4M	1"	YES	80	

UPON REQUEST IT IS AVAILABLE WITH DIFFERENT VOLTAGES AND 60 HZ FREQUENCY